



- ◆ Suitable for circuit connection, changeover, switching on and off as well as motor starting
- ◆ Possibility of special circuit schemes
- ◆ IP40 or IP65 front degree of protection
- ◆ 2-screw fixing
- ◆ Wide range of features.



PAGE 8-2

- GX SERIES**
- Conventional free air thermal current Ith, 16A to 40A ratings
 - Square-shaped contact body
 - IP20 degree of protection of contacts
 - IP65 degree of protection on front, standard supplied.



PAGE 8-9

- GN SERIES**
- Conventional free air thermal current Ith, 12A to 125A ratings
 - Round-shaped contact body
 - IP00 degree of protection of contacts
 - IP40 degree of protection on front, standard supplied.

Front mounting versions

	SEC. PAGE	PAGE
TYPE	GX	GN
On/Off switches. U version, front mounting	8- 2	9
Changeover switches with or without O (OFF). U version, front mounting	8- 3	10
Motor switches. U version, front mounting	8- 4	11
Voltmeter switches. Ammeter switches. U version, front mounting	8- 4	12
On/Off switches. U11 version, front mounting with handle operation for 22mm central fixing	8- 5	13
On/Off switches. U12 version, front mounting with key operation for 22mm central fixing	8- 5	13
On/Off safety switches. U25-U65 version, front mounting with padlock system, red/yellow	8- 5	13

Mounting plate versions

On/Off switches. O88-O98-O99 version, door-coupling and padlock system, red/yellow	8- 6	14
On/Off switches. O68-O78-O79 version, door-coupling system	8- 6	14
On/Off switches. Changeover switches. Voltmeter switches.		
Ammeter switches. O48 version, modular DIN rail (IEC/EN 60715) mounting	8- 7	-

Versions in enclosure

On/Off switches. Changeover switches. P version	8- 8	15
Motor switches. P version with rotating handle	8- 8	16
On/Off switches. P25 version with padlockable handle	8- 8	16

Accessories	8-17	18
--------------------	------	----

Special circuit scheme form	8-19	19
------------------------------------	------	----

U version front mounting. ON/OFF switches



Order code	Rated current AC1	Front plate size	Qty per pkg	Weight
	[A]	[mm]	n°	[kg]

ON/OFF SWITCHES.

One-pole – 1 wafer – scheme 90.

GX16 90 U	16	<input type="checkbox"/> 48	1	0.093
GX20 90 U	20	<input type="checkbox"/> 48	1	0.096
GX32 90 U	32	<input type="checkbox"/> 65	1	0.222
GX40 90 U	40	<input type="checkbox"/> 65	1	0.223



Two-pole – 1 wafer – scheme 91.

GX16 91 U	16	<input type="checkbox"/> 48	1	0.097
GX20 91 U	20	<input type="checkbox"/> 48	1	0.101
GX32 91 U	32	<input type="checkbox"/> 65	1	0.244
GX40 91 U	40	<input type="checkbox"/> 65	1	0.256



Three-pole – 2 wafers – scheme 10.

GX16 10 U	16	<input type="checkbox"/> 48	1	0.113
GX20 10 U	20	<input type="checkbox"/> 48	1	0.120
GX32 10 U	32	<input type="checkbox"/> 65	1	0.296
GX40 10 U	40	<input type="checkbox"/> 65	1	0.312



Four-pole – 2 wafers – scheme 92.

GX16 92 U	16	<input type="checkbox"/> 48	1	0.110
GX20 92 U	20	<input type="checkbox"/> 48	1	0.124
GX32 92 U	32	<input type="checkbox"/> 65	1	0.301
GX40 92 U	40	<input type="checkbox"/> 65	1	0.326



General characteristics

- 16 to 40A conventional free air thermal current Ith ratings
- Extended mechanical and electrical life
- Rotation angles: 30°, 45°, 60° and 90°
- Silver-alloy dual-breaking contacts
- Direct operating operation (☺); safety function according to IEC/EN 60947-5-1
- IP65 front degree of protection; IP20 protection of contacts
- Legend marking is standard supplied as illustrated in the order code table; any other on request.

Selection guide

See page TC-32 and 33.

Optional

Enlarged front plate for GX16-GX20 (65x65mm instead of standard 48x48):

Add "H" after the switch rating in the order code
E.g. GX16H 10 U.

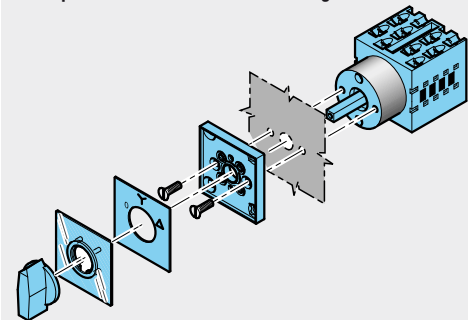
Enlarged front plate for GX32-GX40 (90x90mm instead of standard 65x65):

Add "H" after the switch rating in the order code
E.g. GX32H 10 U.

Special versions

In addition to standard types, particular versions are available with special operating circuit schemes.
See page 8-19.

Example of U version switch mounting



Certifications and compliance

Certifications obtained: cULus, GOST.
Compliant with standards: IEC/EN 60947-1, IEC/EN 60947-3, IEC/EN 60204-1, IEC/EN 61058-1.

U version front mounting. Changeover switches with 0 position. Changeover switches without 0 position



Order code	Rated current AC1	Front plate size	Qty per pkg	Weight
	[A]	[mm]	n°	[kg]

CHANGEOVER SWITCHES WITH 0.
One-pole – 1 wafer – scheme 51.

GX16 51 U	16	□ 48	1	0.097
GX20 51 U	20	□ 48	1	0.101
GX32 51 U	32	□ 65	1	0.236
GX40 51 U	40	□ 65	1	0.239



Two-pole – 2 wafers – scheme 52.

GX16 52 U	16	□ 48	1	0.120
GX20 52 U	20	□ 48	1	0.124
GX32 52 U	32	□ 65	1	0.309
GX40 52 U	40	□ 65	1	0.326



Three-pole – 3 wafers – scheme 53.

GX16 53 U	16	□ 48	1	0.138
GX20 53 U	20	□ 48	1	0.146
GX32 53 U	32	□ 65	1	0.371
GX40 53 U	40	□ 65	1	0.402



Four-pole – 4 wafers – scheme 75.

GX16 75 U	16	□ 48	1	0.157
GX20 75 U	20	□ 48	1	0.171
GX32 75 U	32	□ 65	1	0.440
GX40 75 U	40	□ 65	1	0.472



CHANGEOVER SWITCHES WITHOUT 0.

One-pole – 1 wafer – scheme 54.

GX16 54 U	16	□ 48	1	0.098
GX20 54 U	20	□ 48	1	0.102
GX32 54 U	32	□ 65	1	0.121



Two-pole – 2 wafers – scheme 55.

GX16 55 U	16	□ 48	1	0.117
GX20 55 U	20	□ 48	1	0.126
GX32 55 U	32	□ 65	1	0.155



Three-pole – 3 wafers – scheme 56.

GX16 56 U	16	□ 48	1	0.137
GX20 56 U	20	□ 48	1	0.146
GX32 56 U	32	□ 65	1	0.186



Four-pole – 4 wafers – scheme 69.

GX16 69 U	16	□ 48	1	0.158
GX20 69 U	20	□ 48	1	0.171
GX32 69 U	32	□ 65	1	0.224



General characteristics

- 16 to 40A conventional free air thermal current lth ratings
- Extended mechanical and electrical life
- Rotation angles: 30°, 45°, 60° and 90°
- Silver-alloy dual-breaking contacts
- Direct operating operation ⊖; safety function according to IEC/EN 60947-5-1
- IP65 front degree of protection; IP20 protection of contacts
- Legend marking is standard supplied as illustrated in the order code table; any other on request.

Selection guide

See page TC-32 and 33.

Optional

Enlarged front plate for GX16-GX20 (65x65mm instead of standard 48x48):

Add "H" after the switch rating in the order code
E.g. GX16H 52 U.

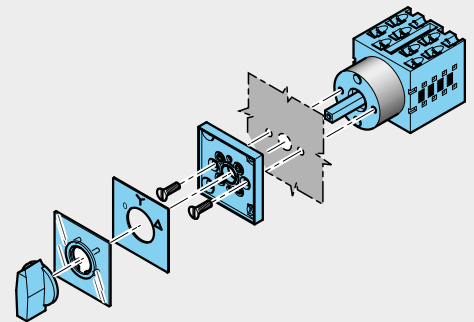
Enlarged front plate for GX32-GX40 (90x90mm instead of standard 65x65):

Add "H" after the switch rating in the order code
E.g. GX32H 52 U.

Special versions

In addition to standard types, particular versions are available with special operating circuit schemes. See page 8-19.

Example of U version switch mounting



Certifications and compliance

Certifications obtained: cULus, GOST.
Compliant with standards: IEC/EN 60947-1, IEC/EN 60947-3, IEC/EN 60204-1, IEC/EN 61058-1.

U version front mounting. Motor switches



Order code	Ith AC1	Max power AC23A	Front plate size	Qty per pkg	Wt.
	[A]	[kW]	[mm]	n°	[kg]

MOTOR SWITCHES.

Reversing switches. Three-pole – 3 wafers – scheme 11.

GX16 11 U	16	5	□ 48	1	0.133
GX20 11 U	20	7.5	□ 48	1	0.141
GX32 11 U	32	15	□ 65	1	0.362
GX40 11 U	40	15	□ 65	1	0.383



Pole-changing switches. 4 wafers – scheme 13.

GX16 13 U	16	5	□ 48	1	0.161
GX20 13 U	20	7.5	□ 48	1	0.171
GX32 13 U	32	15	□ 65	1	0.447
GX40 13 U	40	15	□ 65	1	0.478



Star-delta switches. 4 wafers – scheme 12.

GX16 12 U	16	5	□ 48	1	0.158
GX20 12 U	20	7.5	□ 48	1	0.171
GX32 12 U	32	15	□ 65	1	0.448
GX40 12 U	40	15	□ 65	1	0.478



3-pole motor reversing switches with spring return to 0.

3 wafers – scheme 26.

GX16 26 U	16	5	□ 48	1	0.134
GX20 26 U	20	7.5	□ 48	1	0.141
GX32 26 U	32	15	□ 65	1	0.185



General characteristics

- 16 to 40A conventional free air thermal current Ith ratings
- Extended mechanical and electrical life
- Rotation angles: 30°, 45°, 60° and 90°
- Silver-alloy dual-breaking contacts
- Direct operating operation (☺); safety function according to IEC/EN 60947-5-1
- IP65 front degree of protection; IP20 degree of protection of contacts
- Legend marking is standard supplied as illustrated in the order code table; any other on request.

Selection

See page TC-32 and 33.

Optional

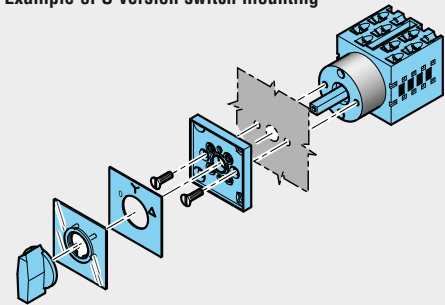
Enlarged front plate for GX16-GX20 (65x65mm instead of standard 48x48): Add "H" after the switch rating in the order code E.g. GX16H 11 U.

Enlarged front plate for GX32-GX40 (90x90mm instead of standard 65x65): Add "H" after the switch rating in the order code E.g. GX32H 11 U.

Special versions

In addition to standard types, particular versions are available with special operating circuit schemes. See page 8-19.

Example of U version switch mounting



Certifications and compliance

Certifications obtained: cULus, GOST.
Compliant with standards: IEC/EN 60947-1, IEC/EN 60947-3, IEC/EN 60204-1, IEC/EN 61058-1.

U version front mounting. Voltmeter switches. Ammeter switches



Order code	Rated current AC1	Front plate size	Qty per pkg	Weight
	[A]	[mm]	n°	[kg]

VOLTMETER SWITCHES.

Phase-Neutral L1-N/L2-N/L3-N – 2 wafers – scheme 68.

GX16 68 U	16	□ 48	1	0.118
------------------	----	------	---	-------



Phase-Phase L1-L2/L2-L3/L3-L1 – 2 wafers – scheme 67.

GX16 67 U	16	□ 48	1	0.118
------------------	----	------	---	-------



For 3 phase to phase voltage and 3 phase voltage readings
3 wafers – scheme 66.

GX16 66 U	16	□ 48	1	0.128
------------------	----	------	---	-------



For 1 phase voltage and 3 phase to phase voltage readings
3 wafers – scheme 60.

GX16 60 U	16	□ 48	1	0.133
------------------	----	------	---	-------



AMMETER SWITCHES.

Direct L1-L2-L3 current readings – 5 wafers – scheme 97.

GX16 97 U	16	□ 48	1	0.169
------------------	----	------	---	-------



For L1-L2-L3 readings via 3 CTs – 3 wafers – scheme 98.

GX16 98 U	16	□ 48	1	0.146
------------------	----	------	---	-------



U11 version front mounting with handle operation, for central 22mm fixing. ON/OFF switches



Order code	Rated current AC1 [A]	Front plate size [mm]	Qty per pkg n°	Weight [kg]
ON/OFF SWITCHES. One-pole – 1 wafer – scheme 90.				
GX16 90 U11	16	—	1	0.097
Two-pole – 1 wafer – scheme 91.				
GX16 91 U11	16	—	1	0.100
Three-pole – 2 wafers – scheme 10.				
GX16 10 U11	16	—	1	0.116
Four-pole – 2 wafers – scheme 92.				
GX16 92 U11	16	—	1	0.118

U12 version front mounting with key operation, for central 22mm fixing. ON/OFF switches



Order code	Rated current AC1 [A]	Front plate size [mm]	Qty per pkg n°	Weight [kg]
ON/OFF SWITCHES. One-pole – 1 wafer – scheme 90.				
GX16 90 U12	16	—	1	0.126
Two-pole – 1 wafer – scheme 91.				
GX16 91 U12	16	—	1	0.137
Three-pole – 2 wafers – scheme 10.				
GX16 10 U12	16	—	1	0.165
Four-pole – 2 wafers – scheme 92.				
GX16 92 U12	16	—	1	0.169

U25-U65 versions front mounting with red/yellow padlock system. ON/OFF switches



Order code	Rated current AC1 [A]	Front plate size [mm]	Qty per pkg n°	Weight [kg]
ON/OFF SWITCHES. Three-pole – 2 wafers – scheme 10.				
GX16 10 U25	16	□ 48	1	0.207
GX20 10 U25	20	□ 48	1	0.212
GX32 10 U25	32	□ 65	1	0.361
GX40 10 U65	40	□ 65	1	0.383
Four-pole – 2 wafers – scheme 92.				
GX16 92 U25	16	□ 48	1	0.211
GX20 92 U25	20	□ 48	1	0.218
GX32 92 U25	32	□ 65	1	0.371
GX40 92 U65	40	□ 65	1	0.388

General characteristics

- 16 to 40A conventional free air thermal current lth ratings
- Extended mechanical and electrical life
- Rotation angles: 30°, 45°, 60° and 90°
- Silver-alloy dual-breaking contacts
- Direct operating operation ⊖; safety function according to IEC/EN 60947-5-1
- IP65 front degree of protection for U25 and U65, IP40 for U11 and U12; IP20 protection of contacts
- Legend marking for U11 and U12 versions is only for reference while for U25 and U65 types standard supplied as illustrated in the order code table; any other on request.

Selection

See page TC-32 and 33.

Optional

Enlarged front plate for GX16-GX20 (65x65mm instead of standard 48x48):

Add "H" after the switch rating in the order code
E.g. GX16H 10 U25.

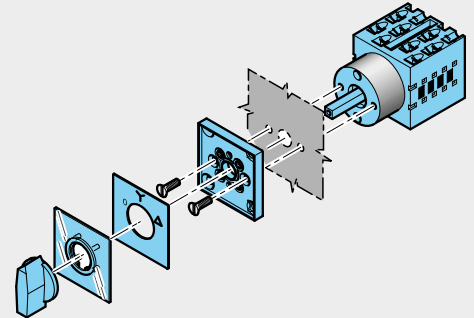
Enlarged front plate for GX32-GX40 (90x90mm instead of standard 65x65):

Add "H" after the switch rating in the order code
E.g. GX32H 10 U25.

Special versions

In addition to standard types, particular versions are available with special operating circuit schemes.
See page 8-19.

Example of U25-U65 switch mounting



Certifications and compliance

Certifications obtained: cULus, GOST.
Compliant with standards: IEC/EN 60947-1, IEC/EN 60947-3, IEC/EN 60204-1, IEC/EN 61058-1.

088 - 098 versions door coupling with red/yellow padlock system. ON/OFF switches



Order code	Rated current AC1	Front plate size	Qty per pkg	Weight
	[A]	[mm]	n°	[kg]

ON/OFF SWITCHES.

Three-pole – 2 wafers – scheme 10.

GX16 10 088	16	□ 48	1	0.263
GX20 10 088	20	□ 48	1	0.289
GX32 10 088	32	□ 65	1	0.404
GX40 10 098	40	□ 65	1	0.429



Four-pole – 2 wafers – scheme 92.

GX16 92 088	16	□ 48	1	0.289
GX20 92 088	20	□ 48	1	0.302
GX32 92 088	32	□ 65	1	0.427
GX40 92 098	40	□ 65	1	0.445



068 - 078 versions door coupling. ON/OFF switches



Order code	Rated current AC1	Front plate size	Qty per pkg	Weight
	[A]	[mm]	n°	[kg]

ON/OFF SWITCHES.

Three-pole – 2 wafers – scheme 10.

GX16 10 068	16	□ 48	1	0.219
GX20 10 068	20	□ 48	1	0.227
GX32 10 068	32	□ 65	1	0.431
GX40 10 078	40	□ 65	1	0.404



Four-pole – 2 wafers – scheme 92.

GX16 92 068	16	□ 48	1	0.219
GX20 92 068	20	□ 48	1	0.230
GX32 92 068	32	□ 65	1	0.445
GX40 92 078	40	□ 65	1	0.447



General characteristics

- 16 to 40A conventional free air thermal current Ith ratings
- Extended mechanical and electrical life
- Rotation angles: 30°, 45°, 60° and 90°
- Silver-alloy dual-breaking contacts
- Direct operating operation (☺); safety function according to IEC/EN 60947-5-1
- IP65 front degree of protection; IP20 degree of protection of contacts
- Legend marking is standard supplied as illustrated in the order code table; any other on request.

Selection

See page TC-32 and 33.

Optional

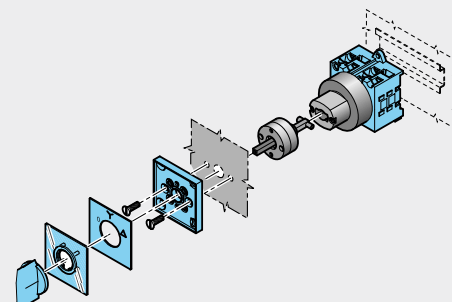
Enlarged front plate for GX16-GX20 (65x65mm instead of standard 48x48):
Add "H" after the switch rating in the order code
E.g. GX16H 10 088.

Enlarged front plate for GX32-GX40 (90x90mm instead of standard 65x65):
Add "H" after the switch rating in the order code
E.g. GX32H 10 088.

Special versions

In addition to standard types, particular versions are available with special operating circuit schemes.
See page 8-19.

Example of 0 version switch mounting



Certifications and compliance

Certifications obtained: cULus, GOST.
Compliant with standards: IEC/EN 60947-1, IEC/EN 60947-3, IEC/EN 60204-1, IEC/EN 61058-1.

048 version modular, 35mm DIN rail mounting. ON/OFF switches. Changeover switches. Voltmeter switches. Ammeter switches



Order code	Rated current AC1	Front plate size	Qty per pkg	Weight
	[A]	[mm]	n°	[kg]
ON/OFF SWITCHES.				
One-pole – 3 wafers – scheme 90.				
GX16 90 048	16	45x54	1	0.124
Two-pole – 3 wafers – scheme 91.				
GX16 91 048	16	45x54	1	0.130
Three-pole – 3 wafers – scheme 10.				
GX16 10 048	16	45x54	1	0.145
Four-pole – 3 wafers – scheme 92.				
GX16 92 048	16	45x54	1	0.147
CHANGEOVER SWITCHES WITH 0.				
One-pole – 3 wafers – scheme 51.				
GX16 51 048	16	45x54	1	0.132
Two-pole – 3 wafers – scheme 52.				
GX16 52 048	16	45x54	1	0.150
Three-pole – 3 wafers – scheme 53.				
GX16 53 048	16	45x54	1	0.175
Four-pole – 4 wafers – scheme 75.				
GX16 75 048	16	45x54	1	0.192
VOLTMETER SWITCHES.				
Phase-Neutral L1-N/L2-N/L3-N – 3 wafers – scheme 68.				
GX16 68 048	16	45x54	1	0.150
Phase-Phase L1-L2/L2-L3/L3-L1 – 3 wafers – scheme 67.				
GX16 67 048	16	45x54	1	0.150
For 3 phase to phase voltage and 3 phase voltage readings 3 wafers – scheme 66				
GX16 66 048	16	45x54	1	0.175
AMMETER SWITCHES.				
Direct L1-L2-L3 current readings – 5 wafers – scheme 97.				
GX16 97 048	16	45x54	1	0.212
For L1-L2-L3 readings via 3 CTs – 4 wafers – scheme 98.				
GX16 98 048	16	45x54	1	0.171

General characteristics

- 16A conventional free air thermal current Ith ratings
- Extended mechanical and electrical life
- Rotation angles: 30°, 45°, 60° and 90°
- Silver-alloy dual-breaking contacts
- Direct operating operation \ominus ; safety function according to IEC/EN 60947-5-1
- IP40 front degree of protection; IP20 degree of protection of contacts
- Suitable for screw fixing or mounting on 35mm DIN rail (IEC/EN 60175)
- Legend marking is standard supplied as illustrated in the order code table; any other on request.

Selection guide

See page TC-32 and 33.

Special versions

In addition to standard types, particular versions are available with special operating circuit schemes. See page 8-19.

Certifications and compliance

Certifications obtained: cULus, GOST.
Compliant with standards: IEC/EN 60947-1, IEC/EN 60947-3, IEC/EN 60204-1, IEC/EN 61058-1.

P version in enclosure with rotating handle. On/Off switches. Changeover switches



Order code	Rated current AC1	Housing size	Qty per pkg	Wt
	[A]	[mm]	n°	[kg]

ON/OFF SWITCHES.
Three poles - scheme 10.

GX16 10 P	16	90x90	1	0.216
GX20 10 P	20	90x90	1	0.216
GX32 10 P	32	110x110	1	0.440
GX40 10 P	40	110x110	1	0.440



ON/OFF SWITCHES.
Four poles - scheme 92.

GX16 92 P	16	90x90	1	0.216
GX20 92 P	20	90x90	1	0.216
GX32 92 P	32	110x110	1	0.440
GX40 92 P	40	110x110	1	0.440



CHANGEOVER SWITCHES.
Three poles - scheme 53.

GX16 53 P	16	90x90	1	0.216
GX20 53 P	20	90x90	1	0.216
GX32 53 P	32	110x110	1	0.440
GX40 53 P	40	110x110	1	0.440



CHANGEOVER SWITCHES.
Four poles - scheme 75.

GX16 75 P	16	90x90	1	0.216
GX20 75 P	20	90x90	1	0.216
GX32 75 P	32	110x110	1	0.440
GX40 75 P	40	110x110	1	0.440



General characteristics

- 16 to 40A conventional free air thermal current Ith ratings
- Extended mechanical and electrical life
- Rotation angles: 30°, 45°, 60° and 90°
- Silver-alloy dual-breaking contacts
- Direct operating operation \odot ; safety function according to IEC/EN 60947-5-1
- IP65 degree of protection
- Top and bottom entry: 4 PG16 threaded knockouts for 90x90mm types and 4 PG21 for 110x110mm
- Legend marking is standard supplied as illustrated in the order code table; any other on request.

Selection guide

See page TC-32 and 33.

Special versions

In addition to standard types, particular versions are available with special operating circuit schemes. See page 8-19.

Certifications and compliance

Certifications obtained: GOST.
Compliant with standards: IEC/EN 60947-1, IEC/EN 60947-3, IEC/EN 60204-1, IEC/EN 61058-1.

P version in enclosure with rotating handle. Motor switches



Order code	Ith AC1	Max power AC23A	Housing size	Qty per pkg	Wt.
	[A]	[A]	[mm]	n°	[kg]

MOTOR SWITCHES.
Three-pole reversing switches - scheme 11.

GX16 11 P	16	5	90x90	1	0.271
GX20 11 P	20	7.5	90x90	1	0.271
GX32 11 P	32	15	110x110	1	0.482
GX40 11 P	40	15	110x110	1	0.482



P version in enclosure with padlockable rotating handle. On/Off switches



Order code	Rated current AC1	Housing size	Qty per pkg	Wt
	[A]	[mm]	n°	[kg]

ON/OFF SWITCHES.
Three poles - scheme 10.

GX16 10 P25	16	90x90	1	0.313
GX20 10 P25	20	90x90	1	0.313
GX32 10 P25	32	110x110	1	0.403



ON/OFF SWITCHES.
Four poles - scheme 92.

GX16 92 P25	16	90x90	1	0.314
GX20 92 P25	20	90x90	1	0.314
GX32 92 P25	32	110x110	1	0.414



U version front mounting. On/Off switches



Order code	Rated current AC1	Front plate size	Qty per pkg	Wt
	[A]	[mm]	n°	[kg]

ON/OFF SWITCHES.

One pole - 1 wafer - scheme 90.

7 GN12 90 U	12	□ 48	1	0.075
7 GN20 90 U	20	□ 48	1	0.077
7 GN25 90 U	25	□ 48	1	0.087
7 GN32 90 U	32	□ 65	1	0.172
7 GN40 90 U	40	□ 65	1	0.173
7 GN63 90 U	63	□ 65	1	0.200



2 poles - 1 wafer - scheme 91.

7 GN12 91 U	12	□ 48	1	0.078
7 GN20 91 U	20	□ 48	1	0.081
7 GN25 91 U	25	□ 48	1	0.094
7 GN32 91 U	32	□ 65	1	0.189
7 GN40 91 U	40	□ 65	1	0.198
7 GN63 91 U	63	□ 65	1	0.218



3 poles - 2 wafers - scheme 10.

7 GN12 10 U	12	□ 48	1	0.090
7 GN20 10 U	20	□ 48	1	0.095
7 GN25 10 U	25	□ 48	1	0.114
7 GN32 10 U	32	□ 65	1	0.228
7 GN40 10 U	40	□ 65	1	0.240
7 GN63 10 U	63	□ 65	1	0.282
7 GN125 10 U	125	□ 90	1	0.721



4 poles - 2 wafers - scheme 92.

7 GN12 92 U	12	□ 48	1	0.088
7 GN20 92 U	20	□ 48	1	0.098
7 GN25 92 U	25	□ 48	1	0.120
7 GN32 92 U	32	□ 65	1	0.232
7 GN40 92 U	40	□ 65	1	0.251
7 GN63 92 U	63	□ 65	1	0.302
7 GN125 92 U	125	□ 90	1	0.782



General characteristics

- 12 to 125A conventional free air thermal current Ith ratings
- Extended mechanical and electrical life
- Rotation angles: 30°, 45°, 60° and 90°
- Silver-alloy dual breaking contacts
- Direct operating operation ⊖; safety function according to IEC/EN 60947-5-1
- IP40 front degree of protection (for IP65 see Optional-front plate); IP00 of contacts
- Legend marking is standard supplied as illustrated in the order code table; any other on request.

Selection guide

See page TC-32 and 33.

Optional

IP65 front plate

Add "51" at the end of the order code.

E.g. 7 GN12 92 U 51.

Enlarged plate for GN12-20-25 (65x65mm instead of 48x48)

Add the letter "H" after the switch size of the order code.

E.g. 7 GN12H 10 U.

Enlarged plate for GN32-40-63 (90x90mm instead of 65x65)

Add the letter "H" after the switch size of the order code.

E.g. 7 GN32H 10 U.

Special versions

In addition to standard types, particular versions are available with special operating circuit schemes.

See page 8-19.

Certifications and compliance

Certifications obtained: cCSAus, GOST, UL.

Compliant with standards: IEC/EN 60947-1,

IEC/EN 60947-3, IEC/EN 60204-1, IEC/EN 61058-1.

U version, front mounting. Changeover switch with or without 0 (OFF)



Order code	Rated current AC1	Front plate size	Qty per pkg	Wt
	[A]	[mm]	n°	[kg]

CHANGEOVER SWITCH WITH 0 (OFF).

One pole - 1 wafer - scheme 51.

7 GN12 51 U	12	□ 48	1	0.078
7 GN20 51 U	20	□ 48	1	0.081
7 GN25 51 U	25	□ 48	1	0.090
7 GN32 51 U	32	□ 65	1	0.183
7 GN40 51 U	40	□ 65	1	0.185
7 GN63 51 U	63	□ 65	1	0.224



2 poles - 2 wafers - scheme 52.

7 GN12 52 U	12	□ 48	1	0.095
7 GN20 52 U	20	□ 48	1	0.098
7 GN25 52 U	25	□ 48	1	0.121
7 GN32 52 U	32	□ 65	1	0.238
7 GN40 52 U	40	□ 65	1	0.251
7 GN63 52 U	63	□ 65	1	0.302
7 GN125 52 U	125	□ 90	1	0.789



3 poles - 3 wafers - scheme 53.

7 GN12 53 U	12	□ 48	1	0.109
7 GN20 53 U	20	□ 48	1	0.115
7 GN25 53 U	25	□ 48	1	0.149
7 GN32 53 U	32	□ 65	1	0.285
7 GN40 53 U	40	□ 65	1	0.308
7 GN63 53 U	63	□ 65	1	0.377
7 GN125 53 U	125	□ 90	1	1.036



4 poles - 4 wafers - scheme 75.

7 GN12 75 U	12	□ 48	1	0.123
7 GN20 75 U	20	□ 48	1	0.134
7 GN25 75 U	25	□ 48	1	0.177
7 GN32 75 U	32	□ 65	1	0.337
7 GN40 75 U	40	□ 65	1	0.361
7 GN63 75 U	63	□ 65	1	0.460
7 GN125 75 U	125	□ 90	1	1.280



CHANGEOVER SWITCH WITHOUT 0 (OFF).

One pole - 1 wafer - scheme 54.

7 GN12 54 U	12	□ 48	1	0.079
7 GN20 54 U	20	□ 48	1	0.082
7 GN25 54 U	25	□ 48	1	0.096



2 poles - 2 wafers - scheme 55.

7 GN12 55 U	12	□ 48	1	0.093
7 GN20 55 U	20	□ 48	1	0.100
7 GN25 55 U	25	□ 48	1	0.122



3 poles - 3 wafers - scheme 56.

7 GN12 56 U	12	□ 48	1	0.108
7 GN20 56 U	20	□ 48	1	0.115
7 GN25 56 U	25	□ 48	1	0.145



4 poles - 4 wafers - scheme 69.

7 GN12 69 U	12	□ 48	1	0.124
7 GN20 69 U	20	□ 48	1	0.134
7 GN25 69 U	25	□ 48	1	0.174



General characteristics

- 12 to 125A conventional free air thermal current Ith ratings
- Extended mechanical and electrical life
- Rotation angles: 30°, 45°, 60° and 90°
- Silver-alloy dual breaking contacts
- Direct operating operation (☺); safety function according to IEC/EN 60947-5-1
- IP40 front degree of protection (for IP65 see Optional-front plate); IP00 of contacts
- Legend marking is standard supplied as illustrated in the order code table; any other on request.

Selection guide

See page TC-32 and 33.

Optional

IP65 front plate

Add "51" at the end of the order code.

E.g. 7 GN12 52 U 51.

Enlarged plate for GN12-20-25 (65x65mm instead of 48x48)

Add the letter "H" after the switch size of the order code.

E.g. 7 GN12H 51 U.

Enlarged plate for GN32-40-63 (90x90mm instead of 65x65)

Add the letter "H" after the switch size of the order code.

E.g. 7 GN32H 51 U.

Special versions

In addition to standard types, particular versions are available with special operating circuit schemes.

See page 8-19.

Certifications and compliance

Certifications obtained: cCSAus, GOST, UL.

Compliant with standards: IEC/EN 60947-1, IEC/EN 60947-3, IEC/EN 60204-1, IEC/EN 61058-1.

U version front mounting. Motor switches



Order code	Ith AC1	Max power AC23A	Front plate size	Qty per pkg	Wt
	[A]	[kW]	[mm]	n°	[kg]

MOTOR SWITCHES.

3-pole reversing switches - 3 wafers - scheme 11.

7 GN12 11 U	12	6	□ 48	1	0.105
7 GN20 11 U	20	7.5	□ 48	1	0.111
7 GN25 11 U	25	11	□ 48	1	0.145
7 GN32 11 U	32	15	□ 65	1	0.278
7 GN40 11 U	40	18.5	□ 65	1	0.294
7 GN63 11 U	63	30	□ 65	1	0.366
7 GN125 11 U	125	45	□ 90	1	0.976



Pole changing switches - 4 wafers - scheme 13.

7 GN12 13 U	12	6	□ 48	1	0.126
7 GN20 13 U	20	7.5	□ 48	1	0.134
7 GN25 13 U	25	11	□ 48	1	0.181
7 GN32 13 U	32	15	□ 65	1	0.342
7 GN40 13 U	40	18.5	□ 65	1	0.366
7 GN63 13 U	63	30	□ 65	1	0.465
7 GN125 13 U	125	45	□ 90	1	1.301



Star-delta switches - 4 wafers - scheme 12.

7 GN12 12 U	12	6	□ 48	1	0.124
7 GN20 12 U	20	7.5	□ 48	1	0.134
7 GN25 12 U	25	11	□ 48	1	0.175
7 GN32 12 U	32	15	□ 65	1	0.343
7 GN40 12 U	40	18.5	□ 65	1	0.366
7 GN63 12 U	63	30	□ 65	1	0.465
7 GN125 12 U	125	45	□ 90	1	1.303



3-pole reversing switches with spring return to 0 - 3 wafers - scheme 26.

7 GN12 26 U	12	6	□ 48	1	0.106
7 GN20 26 U	20	7.5	□ 48	1	0.111
7 GN25 26 U	25	11	□ 48	1	0.144



Pole changing switches with reversing (Dahlander) - 6 wafers - scheme 20.

7 GN12 20 U	12	6	□ 48	1	0.161
7 GN20 20 U	20	7.5	□ 48	1	0.165
7 GN25 20 U	25	11	□ 48	1	0.246



General characteristics

- 12 to 125A conventional free air thermal current Ith ratings
- Extended mechanical and electrical life
- Rotation angles: 30°, 45°, 60° and 90°
- Silver-alloy dual breaking contacts
- Direct operating operation ⊖; safety function according to IEC/EN 60947-5-1
- IP40 front degree of protection (for IP65 see Optional-front plate); IP00 of contacts
- Legend marking is standard supplied as illustrated in the order code table; any other on request.

Selection guide

See page TC-32 and 33.

Optional

IP65 front plate
Add "51" at the end of the order code.
E.g. 7 GN12 13 U 51.

Enlarged plate for GN12-20-25 (65x65mm instead of 48x48)

Add the letter "H" after the switch size of the order code.
E.g. 7 GN12H 11 U.

Enlarged plate for GN32-40-63 (90x90mm instead of 65x65)

Add the letter "H" after the switch size of the order code.
E.g. 7 GN32H 11 U.

Special versions

In addition to standard types, particular versions are available with special operating circuit schemes.
See page 8-19.

Certifications and compliance

Certifications obtained: cCSAus, GOST, UL.
Compliant with standards: IEC/EN 60947-1, IEC/EN 60947-3, IEC/EN 60204-1, IEC/EN 61058-1.

U version, front mounting. Voltmeter switches. Ammeter switches



Order code	Rated current AC1	Front plate size	Qty per pkg	Wt
	[A]	[mm]	n°	[kg]

VOLTMETER SWITCHES.
Phase-Neutral L1-N/L2-N/L3-N
2 wafers - scheme 68.

7 GN12 68 U		12	□ 48	1	0.094
7 GN20 68 U		20	□ 48	1	0.099

Phase-Phase L1-L2/L2-L3/L3-L1
2 wafers - scheme 67.

7 GN12 67 U		12	□ 48	1	0.094
7 GN20 67 U		20	□ 48	1	0.099

For 3 phase to phase voltages and 3 phase voltages
3 wafers - scheme 66.

7 GN12 66 U		12	□ 48	1	0.101
7 GN20 66 U		20	□ 48	1	0.116

For 1 phase voltage and 3 phase to phase voltages
3 wafers - scheme 60.

7 GN12 60 U		12	□ 48	1	0.105
7 GN20 60 U		20	□ 48	1	0.116

AMMETER SWITCHES.
Direct L1-L2-L3 reading - 5 wafers - scheme 97.

7 GN12 97 U		12	□ 48	1	0.132
7 GN20 97 U		20	□ 48	1	0.148

L1-L2-L3 reading via 3 current transformers
4 wafers - scheme 98.

7 GN12 98 U		12	□ 48	1	0.115
7 GN20 98 U		20	□ 48	1	0.115

General characteristics

- 12 to 125A conventional free air thermal current I_{th} ratings
- Extended mechanical and electrical life
- Rotation angles: 30°, 45°, 60° and 90°
- Silver-alloy dual breaking contacts
- Direct operating operation \ominus ; safety function according to IEC/EN 60947-5-1
- IP40 front degree of protection (for IP65 see Optional-front plate); IP00 of contacts
- Legend marking is standard supplied as illustrated in the order code table; any other on request.

Selection guide

See page TC-32 and 33.

Optional

IP65 front plate

Add "51" at the end of the order code.

E.g. 7 GN12 67 U 51.

Enlarged plate for GN12-20-25 (65x65mm instead of 48x48)

Add the letter "H" after the switch size of the order code.
E.g. 7 GN12H 68 U.

Special versions

In addition to standard types, particular versions are available with special operating circuit schemes.
See page 8-19.

Certifications and compliance

Certifications obtained: cCSAus, GOST, UL.

Compliant with standards: IEC/EN 60947-1, IEC/EN 60947-3, IEC/EN 60204-1, IEC/EN 61058-1.

U11 version front mounting with handle operation for 22mm central fixing. On/Off switches



Order code	Rated current AC1 [A]	Front plate size [mm]	Qty per pkg n°	Wt [kg]
ON/OFF SWITCHES. One pole - 1 wafer - scheme 90.				
7 GN12 90 U11	12	—	1	0.078
7 GN20 90 U11	20	—	1	0.082
Two poles - 1 wafer - scheme 91.				
7 GN12 91 U11	12	—	1	0.080
7 GN20 91 U11	20	—	1	0.084
Three poles - 2 wafers - scheme 10.				
7 GN12 10 U11	12	—	1	0.092
7 GN20 10 U11	20	—	1	0.095
Four poles - 2 wafers - scheme 92.				
7 GN12 92 U11	12	—	1	0.094
7 GN20 92 U11	20	—	1	0.100

U12 version front mounting with key operation for 22mm central fixing. On/Off switches



Order code	Rated current AC1 [A]	Front plate size [mm]	Qty per pkg n°	Wt [kg]
ON/OFF SWITCHES. One pole - 1 wafer - scheme 90.				
7 GN12 90 U12	12	—	1	0.100
7 GN20 90 U12	20	—	1	0.104
Two poles - 1 wafer scheme 91.				
7 GN12 91 U12	12	—	1	0.108
7 GN20 91 U12	20	—	1	0.112
Three poles - 2 wafers - scheme 10.				
7 GN12 10 U12	12	—	1	0.129
7 GN20 10 U12	20	—	1	0.135
Four poles - 2 wafers - scheme 92.				
7 GN12 92 U12	12	—	1	0.132
7 GN20 92 U12	20	—	1	0.139

U25-U65 version front mounting with padlock system, red/yellow. On/Off switches



Order code	Rated current AC1 [A]	Front plate size [mm]	Qty per pkg n°	Wt [kg]
ON/OFF SWITCHES. Three poles - 2 wafers - scheme 10.				
7 GN12 10 U25	12	□ 65	1	0.161
7 GN20 10 U25	20	□ 65	1	0.165
7 GN25 10 U25	25	□ 65	1	0.187
7 GN32 10 U25	32	□ 65	1	0.277
7 GN40 10 U65	40	□ 65	1	0.294
7 GN63 10 U65	63	□ 65	1	0.366
7 GN125 10 U65	125	□ 90	1	0.976
Four poles - 2 wafers - scheme 92.				
7 GN12 92 U25	12	□ 65	1	0.164
7 GN20 92 U25	20	□ 65	1	0.169
7 GN25 92 U25	25	□ 65	1	0.196
7 GN32 92 U25	32	□ 65	1	0.285
7 GN40 92 U65	40	□ 65	1	0.298
7 GN63 92 U65	63	□ 65	1	0.370
7 GN125 92 U65	125	□ 90	1	0.984

General characteristics

- 12 to 125A conventional free air thermal current Ith ratings
- Extended mechanical and electrical life
- Rotation angles: 30°, 45°, 60° and 90°
- Silver-alloy dual breaking contacts
- Direct operating operation ⊖; safety function according to IEC/EN 60947-5-1
- IP40 front degree of protection (for IP65 see Optional-front plate); IP00 of contacts for U11 and U12 and IP20 of incoming contacts for U25 and U65 only
- Legend marking for U11 and U12 versions is only for reference while for U25 and U65 types standard supplied as illustrated in the order code table; any other on request.

Selection guide

See page TC-32 and 33.

Optional

IP65 front plate
Add "51" at the end of the order code.
E.g. 7 GN12 92 U25 51.

Enlarged plate for GN32-40-63 (90x90mm instead of 65x65)
Add the letter "H" after the switch size of the order code.
E.g. 7 GN32H 10 U25.

Special versions

In addition to standard types, particular versions are available with special operating circuit schemes. See page 8-19.

Certifications and compliance

Certifications obtained: cCSAus, GOST, UL.
Compliant with standards: IEC/EN 60947-1, IEC/EN 60947-3, IEC/EN 60204-1, IEC/EN 61058-1.

088-098-099 version, door-coupling and padlock system, red/yellow. On/Off switches



Order code	Rated current AC1	Front plate size	Qty per pkg	Wt
	[A]	[mm]	n°	[kg]

ON/OFF SWITCHES.
3 poles - 2 wafers - scheme 10.

7 GN12 10 088	12	□ 65	1	0.203
7 GN20 10 088	20	□ 65	1	0.223
7 GN25 10 088	25	□ 65	1	0.252
7 GN32 10 088	32	□ 65	1	0.310
7 GN40 10 098	40	□ 65	1	0.329
7 GN63 10 098	63	□ 65	1	0.374
7 GN125 10 099	125	□ 90	1	0.909



4 poles - 2 wafers - scheme 92.

7 GN12 92 088	12	□ 65	1	0.223
7 GN20 92 088	20	□ 65	1	0.233
7 GN25 92 088	25	□ 65	1	0.259
7 GN32 92 088	32	□ 65	1	0.327
7 GN40 92 098	40	□ 65	1	0.341
7 GN63 92 098	63	□ 65	1	0.391
7 GN125 92 099	125	□ 90	1	0.985



General characteristics

- 12 to 125A conventional free air thermal current Ith ratings
- Extended mechanical and electrical life
- Rotation angles: 30°, 45°, 60° and 90°
- Silver-alloy dual breaking contacts
- Direct operating operation (☺); safety function according to IEC/EN 60947-5-1
- IP40 front degree of protection (for IP65 see Optional-front plate); IP20 of incoming contacts only
- Legend marking is standard supplied as illustrated in the order code table; any other on request.

Selection guide

See page TC-32 and 33.

Optional

IP65 front plate
Add "51" at the end of the order code.
E.g. 7 GN12 92 088 51.

Fixing plate for DIN 35mm rail (EN 50022)
Add "18" at the end of the order code.
E.g. 7 GN25 10 0 18.

Enlarged plate for GN12-20-25 (65x65mm instead of 48x48)
Add the letter "H" after the switch size of the order code.
E.g. 7 GN12H 10 068.

Enlarged plate for GN32-40-63 (90x90mm instead of 65x65)
Add the letter "H" after the switch size of the order code.
E.g. 7 GN32H 10 068.

Special versions

In addition to standard types, particular versions are available with special operating circuit schemes.
See page 8-19.

Certifications and compliance

Certifications obtained: cCSAus, GOST, UL.
Compliant with standards: IEC/EN 60947-1, IEC/EN 60947-3, IEC/EN 60204-1, IEC/EN 61058-1.

8 068-078-079 version, door-coupling system. On/Off switches



Order code	Rated current AC1	Front plate size	Qty per pkg	Wt
	[A]	[mm]	n°	[kg]

ON/OFF SWITCHES.
3 poles - 2 wafers - scheme 10.

7 GN12 10 068	12	□ 48	1	0.170
7 GN20 10 068	20	□ 48	1	0.176
7 GN25 10 068	25	□ 48	1	0.199
7 GN32 10 068	32	□ 65	1	0.330
7 GN40 10 078	40	□ 65	1	0.310
7 GN63 10 078	63	□ 65	1	0.359
7 GN125 10 079	125	□ 90	1	0.985



4 poles - 2 wafers - scheme 92.

7 GN12 92 068	12	□ 48	1	0.170
7 GN20 92 068	20	□ 48	1	0.178
7 GN25 92 068	25	□ 48	1	0.240
7 GN32 92 068	32	□ 65	1	0.341
7 GN40 92 078	40	□ 65	1	0.342
7 GN63 92 078	63	□ 65	1	0.378
7 GN125 92 079	125	□ 90	1	0.946



P version in enclosure with rotating handle. On/Off switches. Changeover switches



Order code	Rated current AC1	Front plate size	Qty per pkg	Wt
	[A]	[mm]	n°	[kg]

ON/OFF SWITCHES.
Three poles - scheme 10.

7 GN12 10 P	12	75x75	1	0.172
7 GN20 10 P	20	75x75	1	0.216
7 GN25 10 P	25	75x75	1	0.270
7 GN32 10 P	32	90x90	1	0.440
7 GN40 10 P	40	110x110	1	0.584
7 GN63 10 P	63	110x110	1	0.708



Four poles - scheme 92.

7 GN12 92 P	12	75x75	1	0.174
7 GN20 92 P	20	75x75	1	0.218
7 GN25 92 P	25	75x75	1	0.278
7 GN32 92 P	32	90x90	1	0.448
7 GN40 92 P	40	110x110	1	0.590
7 GN63 92 P	63	110x110	1	0.711



CHANGEOVER SWITCHES.
Three poles - scheme 53.

7 GN12 53 P	12	75x75	1	0.219
7 GN20 53 P	20	75x75	1	0.273
7 GN25 53 P	25	75x75	1	0.307
7 GN32 53 P	32	90x90	1	0.500
7 GN40 53 P	40	110x110	1	0.653
7 GN63 53 P	63	110x110	1	0.848



Four poles - scheme 75.

7 GN12 75 P	12	75x75	1	0.226
7 GN20 75 P	20	75x75	1	0.289
7 GN25 75 P	25	90x90	1	0.422
7 GN32 75 P	32	90x90	1	0.551
7 GN40 75 P	40	110x110	1	0.704
7 GN63 75 P	63	110x110	1	1.051



General characteristics

- 12 to 63A conventional free air thermal current lth ratings
- Extended mechanical and electrical life
- Rotation angles: 30°, 45°, 60° and 90°
- Silver-alloy dual breaking contacts
- Direct operating operation \ominus ; safety function according to IEC/EN 60947-5-1
- IP65 degree of protection (IP54 for GN12 only)
- Top and bottom entry:
 - 4 PG13.5 threaded knockouts for 75x75mm types
 - 4 PG16 threaded knockouts for 90x90mm types
 - 4 PG21 threaded knockouts for 110x110mm types
- Legend marking is standard supplied as illustrated in the order code table; any other on request.

Selection guide

See page TC-32 and 33.

Special versions

In addition to standard types, particular versions are available with special operating circuit schemes. See page 8-19.

Certifications and compliance

Certifications obtained: GOST, UL.
Compliant with standards: IEC/EN 60947-1, IEC/EN 60947-3, IEC/EN 60204-1, IEC/EN 61058-1.

P with rotating version in enclosure. Motor switches



Order code	Ith AC1	Max power AC23A	Front plate size	Qty per pkg	Wt
	[A]	[kW]	[mm]	n°	[kg]

MOTOR SWITCHES.

Three-pole reversing switches - scheme 11.

7 GN12 11 P	12	6	75x75	1	0.216
7 GN20 11 P	20	7.5	75x75	1	0.271
7 GN25 11 P	25	11	75x75	1	0.299
7 GN32 11 P	32	15	90x90	1	0.482
7 GN40 11 P	40	18.5	110x110	1	0.639
7 GN63 11 P	63	30	110x110	1	0.834



General characteristics

- 12 to 63A conventional free air thermal current Ith ratings
- Extended mechanical and electrical life
- Rotation angles: 30°, 45°, 60° and 90°
- Silver-alloy dual breaking contacts
- Direct operating operation (☺); safety function according to IEC/EN 60947-5-1
- IP65 degree of protection (IP54 for GN12 only)
- Top and bottom entry:
 - 4 PG13.5 threaded knockouts for 75x75mm types
 - 4 PG16 threaded knockouts for 90x90mm types
 - 4 PG21 threaded knockouts for 110x110mm types
- Legend marking is standard supplied as illustrated in the order code table; any other on request.

Selection guide

See page TC-32 and 33.

Special versions

In addition to standard types, particular versions are available with special operating circuit schemes. See page 8-19.

Certifications and compliance

Certifications obtained: GOST, UL.
Compliant with standards: IEC/EN 60947-1, IEC/EN 60947-3, IEC/EN 60204-1, IEC/EN 61058-1.

P25 version in enclosure with padlockable rotating handle. On/Off switches

8



Order code	Rated current AC1	Front plate size	Qty per pkg	Wt
	[A]	[mm]	n°	[kg]

ON/OFF SWITCHES.

Three poles - scheme 10.

7 GN20 10 P25	20	90x90	1	0.313
7 GN25 10 P25	25	90x90	1	0.327
7 GN32 10 P25	32	90x90	1	0.403



Four poles - scheme 92.

7 GN20 92 P25	20	90x90	1	0.314
7 GN25 92 P25	25	90x90	1	0.338
7 GN32 92 P25	32	90x90	1	0.414



Accessories for GX switches



7 AO14 - 7 AR114 - 7 A114 - 7 AR214



7 AR124 - 7 A124 - 7 AR224



7 APRBP



GX M1 - GX M2



GX M5 - GX M6



GX A01 - GX A01H - GX A11

Order code	Description	Q.ty per pkg	Weight
		n.	[kg]
Black operating handle❶.			
7 AO14	For 48x48mm front plate	1	0.005
7 AR114	For GX16 - GX20 65x65mm front plate	1	0.010
7 A114	For GX32 - GX40 65x65mm front plate	1	0.010
7 AR214	For 90x90mm front plate	1	0.015
Black operating lever❶.			
7 AR124	For GX16 - GX20 65x65mm front plate	1	0.019
7 A124	For GX32 - GX40 65x65mm front plate	1	0.019
7 AR224	For 90x90mm front plate	1	0.038
Adjustable door-coupling extension shaft. 70mm long max❶.			
7 APRBP	For GX16 to GX40	1	0.027
IP40 face plate❶.			
GX M1	48x48mm blank face plate	1	0.011
GX M2	65x65mm blank face plate	1	0.027
IP40 face plate with legend plate.			
GX M5	48x60mm blank face plate with legend plate	1	0.013
GX M6	65x80mm blank face plate with legend plate	1	0.029
Padlockable handle❶.			
GX A01	48x48mm yellow/red 0-1 padlockable handle for 2-position GX16-GX20	1	0.030
GX A01H	65x65mm yellow/red 0-1 padlockable handle for 2-position GX16-GX20	1	0.047
GX A11	65x65mm yellow/red 0-1 padlockable handle for 2-position GX32-GX40	1	0.047

❶ Also suitable for GN series.



Accessories for GN switches

7 A019... -
7 A119...

7 A169...

7 A014 -
7 AR114 -
7 A114 -
7 AR2147 AR124 -
7 A124 -
7 AR224

7 A180 - 7 A181



7 APRBP



7 A441 - 7 A442 - 7 A443



GX M1 - GX M2



GX A01 - GX A01H - GX A11

Order code	Description	Qty per pkg	Wt
		n°	[kg]
Finger protection shroud for supply terminals.			
7 A0191	For GN12-GN20	1	0.017
7 A0192	For GN25	1	0.021
7 A119U	For GN32 U version	1	0.033
7 A119O	For GN32 O version	1	0.033
7 A1691	For GN40	1	0.005
7 A1692	For GN63	1	0.006
7 A1693	For GN125	1	0.020
Black operating handle ^① .			
7 A014	For 48x48mm front plate	1	0.005
7 AR114	For GN12 - GN20 - GN25 65x65mm front plate	1	0.010
7 A114	For GN32 - GN40 - GN63 65x65mm front plate	1	0.010
7 AR214	For GN32-GN40-GN63-GN125 90x90mm front plate	1	0.015
Black operating lever ^① .			
7 AR124	For GN12 - GN20 - GN25 65x65mm front plate	1	0.019
7 A124	For GN32 - GN40 - GN63 65x65mm front plate	1	0.019
7 AR224	For GN125 90x90mm front plate	1	0.038
35mm DIN rail (IEC/EN 60715) base mounting piece for U version.			
7 A180	For GN12 to GN25	1	0.011
7 A181	For GN32 to GN63	1	0.018
Adjustable door-coupling extension shaft, 70 mm long max ^① .			
7 APRBP	For GN12 to GN63	1	0.027
Flexible rubber shroud ^② .			
7 A441	Ø 58mm, 70mm long for GN12 to GN25 with 2 elements	1	0.045
7 A442	Ø 58mm, 92mm long for GN12 to GN25 with 4 elements	1	0.054
7 A443	Ø 58mm, 125mm long for GN12 to GN25 with 6 elements	1	0.063
IP40 face plate ^① .			
GX M1	48x48mm blank face plate	1	0.011
GX M2	65x65mm blank face plate	1	0.027
Padlockable handle ^① .			
GX A01	48x48mm yellow/red 0-1 padlockable handle for 2-position GN12-GN20-GN25	1	0.030
GX A01H	65x65mm yellow/red 0-1 padlockable handle for 2-position GN12-GN20-GN25	1	0.047
GX A11	65x65mm yellow/red 0-1 padlockable handle for 2-position GN32-GN40-GN63	1	0.047

① Also suitable for GX series.

② Raises contact degree of protection from IP00 to IP20.

1	4	5	8	9	12	13	16	17	20	21	24	25	28	29	32	33	36	37	40	41	44	45	48
2	3	6	7	10	11	14	15	18	19	22	23	26	27	30	31	34	35	38	39	42	43	46	47

Plate indication	pos.																								
	7																								
C	8																								
	9																								
	10																								
D	11																								
	12																								
	1																								
A	2																								
	3																								
	4																								
B	5																								
	6																								

Front plate

1	X	X	X	X	
2	X	X	X	X	X
	Overlapping contacts	Closed contact in 2 or more positions	Open/passing contact	Closed contact	Spring return

Body shape: Square - GX ❶ Round - GN Amp rating

Version: Front mount Rear mount Enclosed Other

Finish: Standard ❷ Red/yellow padlockable Special

Fixing: 2 screw 4 screw

Q.ty:..... Company name and contact details:

❶ Maximum 40A ratings for GX series.
 ❷ Standard finish is grey front plate, 0-12 indication and a black handle; any other is considered special. Also consult the I230 special schemes manual on the website.

