



Analog meters with alarms

AL 96AC

96x96 mm flush mounting housing
(a.c. ammeters and voltmeters)



AL 96DC

96x96 mm flush mounting housing
(d.c. ammeters and voltmeters)



AL 96MI

96x96 mm flush mounting housing
(a.c. and d.c. network insulation meters)





Model	AL 96AC		AL 96DC	
	ANT1...	ANT4...	ANT3...	ANT6...
Codes	04	05	04	05
Ordering codes see page:	04	05	04	05
Measuring quantity	alternating current	alternating voltage	direct current	direct voltage
Rated input	CT /1A or 5A	300V or 500V direct or VT /100V	0-1mA or 0-5mA or 0-10mA or 0-20mA or 4-20mA	60mV...200V
Scale	0...In	0...Un (direct), customizable (VT)	customizable	customizable
Alarm type	1 min. + 1 max. or 2 min. or 2 max.		1 min. + 1 max. or 2 min. or 2 max.	
Alarm threshold adjusting range	41 led on 90° arc		41 led on 90° arc	
Response time	1 - 3 - 6 - 15s		1 - 3 - 6 - 15s	
Hysteresis	5% of threshold value		5% of threshold value	
Reset	< 600ms		< 600ms	
Relay output	2 SPDT relays		2 SPDT relays	
Relay status	negative security		negative security	
A.C. auxiliary supply	115 - 230 - 240Va.c.		115 - 230 - 240Va.c.	
Dimensions	96x96x103mm		96x96x103mm	
Technical note	NT475	NT476	NT477	NT478
Price				

ACCESSORY	
code	description
ADGIP549	IP54 front frame protection



Model	AL 96MI		AL 96MI	
Codes	ANTN1...	ANTN2...	ANTN3...	ANTN4...
Ordering codes see page:	05	05	05	05
Measuring quantity	insulation on a.c. line with isolated neutral		insulation on d.c. line	
Line voltage	up to 690/100V	24V	120V	220V
Scale	∞ -5Mohm-0,5-0 or ∞ -2Mohm-0,2-0	∞ -2Mohm-0,2-0 or ∞ -200kohm-20-0		
Alarm type	1 low + 1 high insulation or 2 low insulation	1 low + 1 high insulation or 2 low insulation		
Alarm threshold adjusting range	41 led on 90° arc	41 led on 90° arc		
Response time	1 - 3 - 6 - 15s	1 - 3 - 6 - 15s		
Hysteresis	5% of threshold value	5% of threshold value		
Reset	<600ms	< 600ms		
Relay output	2 SPDT relays	2 SPDT relays		
Relay status	negative security	negative security		
A.C. auxiliary supply	100 - 115 - 230 - 240Va.c.	115 - 230 - 240Va.c.		
Dimensions	96x96x103mm	96x96x103mm		
Technical note	NT481	NT482		
Price				

ACCESSORY	
code	description
ADGIP549	IP54 front frame protection

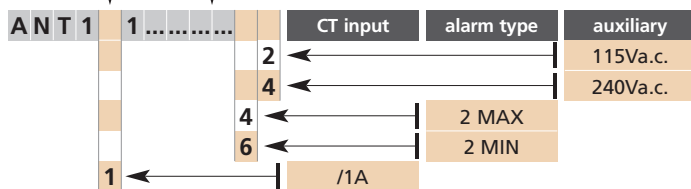
AL 96AC

2 alarms alternating current

96x96mm

Ordering code	Auxiliary supply	Input	Alarm type	Stock		
ANT 1 5 1 A 5 0 0 3 3	230Va.c.	5/5A	Min. - Max.			
ANT 1 5 1 B 1 0 0 3 3	230Va.c.	10/5A	Min. - Max.			
ANT 1 5 1 B 1 5 0 3 3	230Va.c.	15/5A	Min. - Max.			
ANT 1 5 1 B 2 0 0 3 3	230Va.c.	20/5A	Min. - Max.			
ANT 1 5 1 B 2 5 0 3 3	230Va.c.	25/5A	Min. - Max.			
ANT 1 5 1 B 3 0 0 3 3	230Va.c.	30/5A	Min. - Max.			
ANT 1 5 1 B 4 0 0 3 3	230Va.c.	40/5A	Min. - Max.			
ANT 1 5 1 B 5 0 0 3 3	230Va.c.	50/5A	Min. - Max.			
ANT 1 5 1 B 6 0 0 3 3	230Va.c.	60/5A	Min. - Max.			
ANT 1 5 1 B 7 0 0 3 3	230Va.c.	70/5A	Min. - Max.			
ANT 1 5 1 B 7 5 0 3 3	230Va.c.	75/5A	Min. - Max.			
ANT 1 5 1 B 8 0 0 3 3	230Va.c.	80/5A	Min. - Max.			
ANT 1 5 1 C 1 0 0 3 3	230Va.c.	100/5A	Min. - Max.			
ANT 1 5 1 C 1 2 0 3 3	230Va.c.	120/5A	Min. - Max.			
ANT 1 5 1 C 1 2 5 3 3	230Va.c.	125/5A	Min. - Max.			
ANT 1 5 1 C 1 5 0 3 3	230Va.c.	150/5A	Min. - Max.			
ANT 1 5 1 C 1 6 0 3 3	230Va.c.	160/5A	Min. - Max.			
ANT 1 5 1 C 2 0 0 3 3	230Va.c.	200/5A	Min. - Max.			
ANT 1 5 1 C 2 5 0 3 3	230Va.c.	250/5A	Min. - Max.			
ANT 1 5 1 C 3 0 0 3 3	230Va.c.	300/5A	Min. - Max.			
ANT 1 5 1 C 4 0 0 3 3	230Va.c.	400/5A	Min. - Max.			
ANT 1 5 1 C 5 0 0 3 3	230Va.c.	500/5A	Min. - Max.			
ANT 1 5 1 C 6 0 0 3 3	230Va.c.	600/5A	Min. - Max.			
ANT 1 5 1 C 7 0 0 3 3	230Va.c.	700/5A	Min. - Max.			
ANT 1 5 1 C 7 5 0 3 3	230Va.c.	750/5A	Min. - Max.			
ANT 1 5 1 C 8 0 0 3 3	230Va.c.	800/5A	Min. - Max.			
ANT 1 5 1 D 1 0 0 3 3	230Va.c.	1000/5A	Min. - Max.			
ANT 1 5 1 D 1 2 0 3 3	230Va.c.	1200/5A	Min. - Max.			
ANT 1 5 1 D 1 2 5 3 3	230Va.c.	1250/5A	Min. - Max.			
ANT 1 5 1 D 1 5 0 3 3	230Va.c.	1500/5A	Min. - Max.			
ANT 1 5 1 D 1 6 0 3 3	230Va.c.	1600/5A	Min. - Max.			
ANT 1 5 1 D 2 0 0 3 3	230Va.c.	2000/5A	Min. - Max.			
ANT 1 5 1 D 2 5 0 3 3	230Va.c.	2500/5A	Min. - Max.			
ANT 1 5 1 D 3 0 0 3 3	230Va.c.	3000/5A	Min. - Max.			
ANT 1 5 1 D 4 0 0 3 3	230Va.c.	4000/5A	Min. - Max.			
ANT 1 5 1 D 5 0 0 3 3	230Va.c.	5000/5A	Min. - Max.			
ANT 1 5 1 D 6 0 0 3 3	230Va.c.	6000/5A	Min. - Max.			
ANT 1 5 1 D 8 0 0 3 3	230Va.c.	8000/5A	Min. - Max.			
ANT 1 5 1 E 1 0 0 3 3	230Va.c.	10000/5A	Min. - Max.			

Other executions



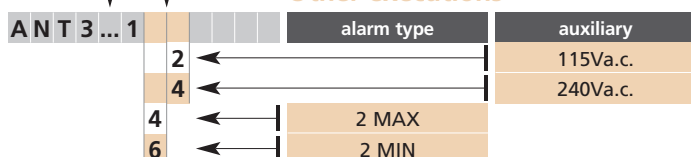
AL 96DC

2 alarms direct current

96x96mm

Ordering code	Auxiliary supply	Input	Alarm type	Stock	Data to be shown in addition to ordering code
ANT 3 1 1 3 3	230Va.c.	1mA	Min. - Max		scale corresponding to input
ANT 3 2 1 3 3	230Va.c.	5mA	Min. - Max		scale corresponding to input
ANT 3 3 1 3 3	230Va.c.	10mA	Min. - Max		scale corresponding to input
ANT 3 4 1 3 3	230Va.c.	20mA	Min. - Max		scale corresponding to input
ANT 3 5 1 3 3	230Va.c.	4...20mA	Min. - Max		scale corresponding to input

Other executions



AL 96AC

2 alarms alternating voltage

96x96mm

Ordering code	Auxiliary supply	Input	Alarm type	Stock	Data to be shown in addition to ordering code
ANT 4 DDC 3 0 0 3 3	230Va.c.	300V	Min. - Max		
ANT 4 DDC 5 0 0 3 3	230Va.c.	500V	Min. - Max		
ANT 4 P P 1 1 1 1 3 3	230Va.c.	VT	Min. - Max		scale and VT ratio

Other executions

alarm type	auxiliary
2	115Va.c.
4	240Va.c.
4	2 MAX
6	2 MIN

AL 96DC

2 alarms direct voltage

96x96mm

Ordering code	Auxiliary supply	Input	Alarm type	Stock	Data to be shown in addition to ordering code
ANT 6 P 1 3 3	230Va.c.	Vd.c.	Min. - Max		Input (60mV...200V) and scale corresponding

Other executions

alarm type	auxiliary
2	115Va.c.
4	240Va.c.
4	2 MAX
6	2 MIN

AL 96MI

2 alarms a.c. network insulation meter

96x96mm

Ordering code	Aux. supply	Line	Scale	Alarm type	Stock	Data to be shown in addition to ordering code
ANT N 1 1 3 1	100Va.c.	VT/100V	5M Ω	Min. - Max	•	
ANT N 1 1 3 3	230Va.c.	VT/100V	5M Ω	Min. - Max		
ANT N 1 2 3 1	100Va.c.	VT/100V	2M Ω	Min. - Max		
ANT N 1 2 3 3	230Va.c.	VT/100V	2M Ω	Min. - Max		

Other executions

alarm type	auxiliary
2	115Va.c.
4	240Va.c.
4	2 MIN (insulation)

AL 96MI

2 alarms d.c. network insulation meter

96x96mm

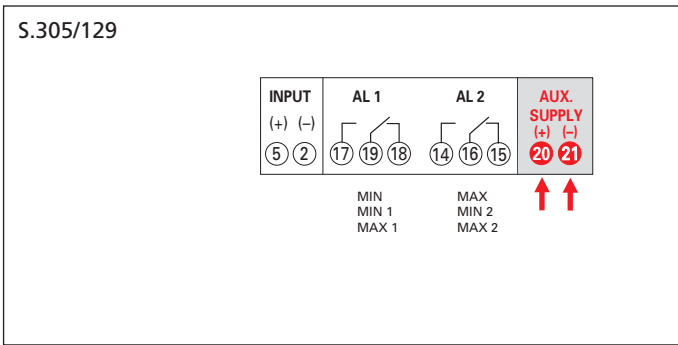
Ordering code	Aux. supply	Line	Scale	Alarm type	Stock	Data to be shown in addition to ordering code
ANT N 2 2 3 3	230Va.c.	24Vd.c.	2M Ω	Min. - Max		
ANT N 2 3 3 3	230Va.c.	24Vd.c.	200M Ω	Min. - Max		
ANT N 3 2 3 3	230Va.c.	120Vd.c.	2M Ω	Min. - Max		
ANT N 3 3 3 3	230Va.c.	120Vd.c.	200M Ω	Min. - Max		
ANT N 4 2 3 3	230Va.c.	220Vd.c.	2M Ω	Min. - Max		
ANT N 4 3 3 3	230Va.c.	220Vd.c.	200M Ω	Min. - Max		

Other executions

alarm type	auxiliary
2	115Va.c.
4	240Va.c.
4	2 MIN (insulation)

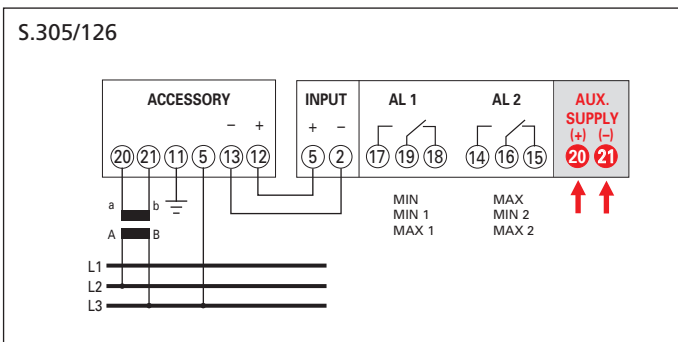
AL 96DC / AL 96AC

ANT1... / ANT4... / ANT3... / ANT6...

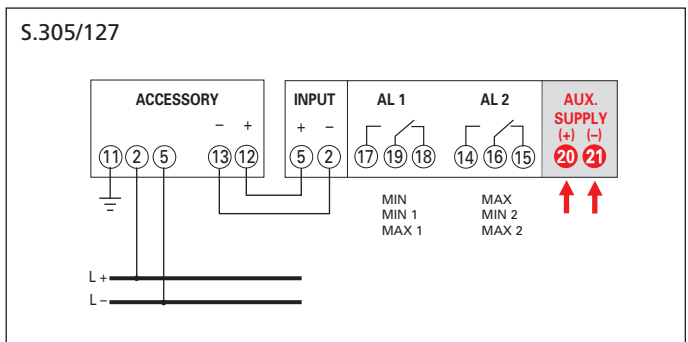


AL 96MI

ANTN1...

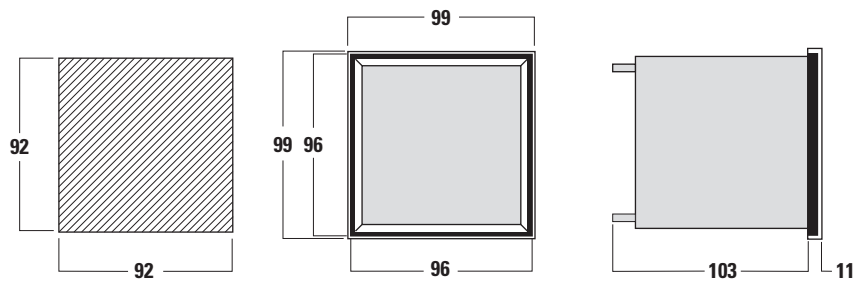


ANTN2... / ANTN3... / ANTN4...



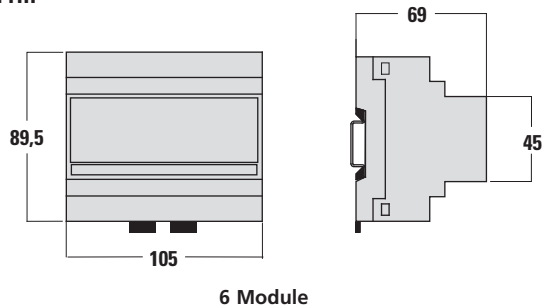
OVERALL DIMENSIONS

AL 96DC / AL 96AC / AL 96MI



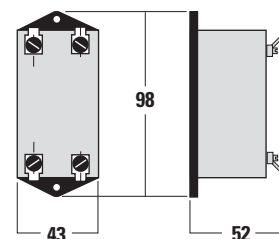
Accessory for AL 96MI

ANTN1...



Accessory for AL 96MI

ANTN2... / ANT N3... / ANT N4...



IME S.p.A. reserves the right, to modify the technical characteristics without notice