



# Current transformers

with built-in transducer

**TT**

alternating current



**HT**

unidirectional direct or pulsating current





# Alternating current TT



Model	TT35	TT35A
Codes	TT1A...	TT1B...
Ordering codes:	see table	see table
Passing cable hole dimensions	35mm	35mm
A.C. selectable rated current	5-10-15-20-25-30-35-40-45A 15-30-45-60-75-90-105-120-135A 25-50-75-100-125-150-175-200-225A 50-100-150-200-250-300-350-400-450A	5-10-15-20-25-30-35-40-45A 15-30-45-60-75-90-105-120-135A 25-50-75-100-125-150-175-200-225A 50-100-150-200-250-300-350-400-450A
Output	4...20mA (2 wire technology)	0...20mA - 4...20mA - 0...10V (4 wire technology)
A.C. auxiliary supply		115 - 230 - 240Va.c.
D.C. auxiliary supply	10...34Vd.c.	
Technical note	NT433	NT434
Price		

## TT35

### Current transformer with a.c. (2 wire technology) built-in transducer

Ø 35mm

Ordering code	Input	Output	Auxiliary supply	Stock
TT1AA502A	5(45)A	4...20mA	10...34Vd.c.	•
TT1AB152A	15(135)A	4...20mA	10...34Vd.c.	•
TT1AB252A	25(225)A	4...20mA	10...34Vd.c.	•
TT1AB502A	50(450)A	4...20mA	10...34Vd.c.	•

## TT35A

### Current transformer with a.c. (4 wire technology) built-in transducer

Ø 35mm

Ordering code	Input	Output	Auxiliary supply	Stock
TT1BA5012	5(45)A	0...20mA	115Va.c.	
TT1BA5013	5(45)A	0...20mA	230Va.c.	
TT1BA5014	5(45)A	0...20mA	240Va.c.	
TT1BA5022	5(45)A	4...20mA	115Va.c.	
TT1BA5023	5(45)A	4...20mA	230Va.c.	•
TT1BA5024	5(45)A	4...20mA	240Va.c.	
TT1BA5032	5(45)A	0...10V	115Va.c.	
TT1BA5033	5(45)A	0...10V	230Va.c.	
TT1BA5034	5(45)A	0...10V	240Va.c.	
TT1BB2512	25(225)A	0...20mA	115Va.c.	
TT1BB2513	25(225)A	0...20mA	230Va.c.	
TT1BB2514	25(225)A	0...20mA	240Va.c.	
TT1BB2522	25(225)A	4...20mA	115Va.c.	•
TT1BB2523	25(225)A	4...20mA	230Va.c.	•
TT1BB2524	25(225)A	4...20mA	240Va.c.	
TT1BB2532	25(225)A	0...10V	115Va.c.	
TT1BB2533	25(225)A	0...10V	230Va.c.	•
TT1BB2534	25(225)A	0...10V	240Va.c.	



### Other executions

TT1B	.....	current
B10	←	15(135)A
B50	←	50(450)A



Model	HT35A	HT80A
Codes	HT1B...	HT2B...
Ordering codes:	see table	see table
Passing cable hole dimensions	35mm	80mm
(Unidirectional) D.C. rated current	100 - 150 - 200 - 250 - 300 - 400A	400 - 500 - 600 - 800 - 1000A
Output	0...20mA - 4...20mA selectable 0...10V	0...20mA - 4...20mA selectable 0...10V
A.C. auxiliary supply	48 - 115 - 230 - 240Va.c.	48 - 115 - 230 - 240Va.c.
D.C. auxiliary supply	20...150Vd.c.	20...150Vd.c.
Technical note	NT500	NT501
Price		
Extra price d.c. auxiliary supply	•	•

## HT35A

Current transformer with d.c. Hall effect built-in transducer

Ø 35mm

Ordering code	Input	Output	Auxiliary supply	Stock
HT 1 B C 1 0 3 2	100A	0...10V	115Va.c.	
HT 1 B C 1 0 3 3	100A	0...10V	230Va.c.	
HT 1 B C 1 0 3 4	100A	0...10V	240Va.c.	
HT 1 B C 1 0 3 T	100A	0...10V	20...150Vd.c. + 48Va.c.	
HT 1 B C 1 0 4 2	100A	0...20 + 4...20mA	115Va.c.	
HT 1 B C 1 0 4 3	100A	0...20 + 4...20mA	230Va.c.	
HT 1 B C 1 0 4 4	100A	0...20 + 4...20mA	240Va.c.	
HT 1 B C 1 0 4 T	100A	0...20 + 4...20mA	20...150Vd.c. + 48Va.c.	

### Other executions

HT 1 B C	current
1 5	150A
2 0	200A
2 5	250A
3 0	300A
4 0	400A

## HT80A

Current transformer with d.c. Hall effect built-in transducer

Ø 80mm

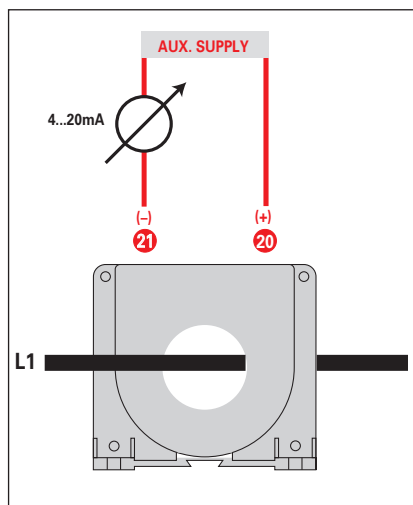
Ordering code	Input	Output	Auxiliary supply	Stock
HT 2 B C 4 0 3 2	400A	0...10V	115Va.c.	
HT 2 B C 4 0 3 3	400A	0...10V	230Va.c.	
HT 2 B C 4 0 3 4	400A	0...10V	240Va.c.	
HT 2 B C 4 0 3 T	400A	0...10V	20...150Vd.c. + 48Va.c.	
HT 2 B C 4 0 4 2	400A	0...20 + 4...20mA	115Va.c.	
HT 2 B C 4 0 4 3	400A	0...20 + 4...20mA	230Va.c.	
HT 2 B C 4 0 4 4	400A	0...20 + 4...20mA	240Va.c.	
HT 2 B C 4 0 4 T	400A	0...20 + 4...20mA	20...150Vd.c. + 48Va.c.	

### Other executions

HT 2 B	current
C 5 0	500A
C 6 0	600A
C 8 0	800A
D 1 0	1000A

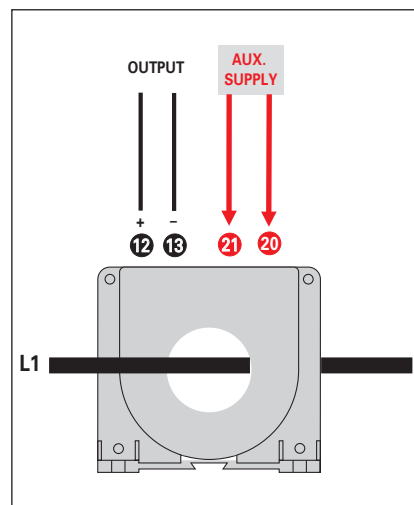
**TT35**

TT1A...



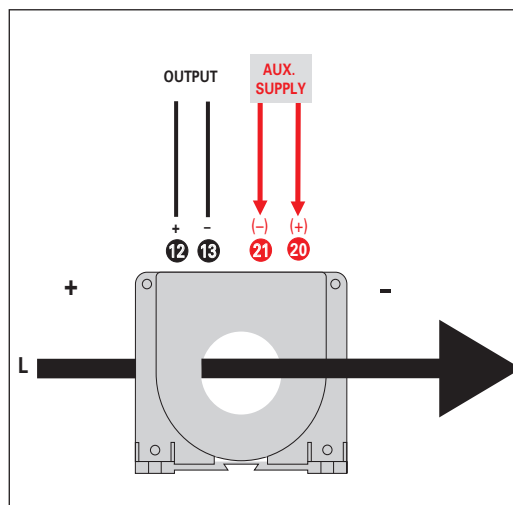
**TT35A**

TT1B...



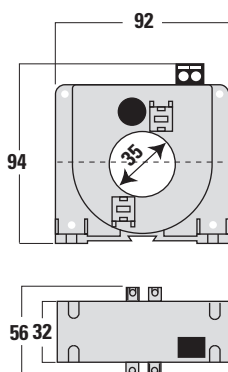
**HT35A - HT80A**

HT1B... - HT2B...

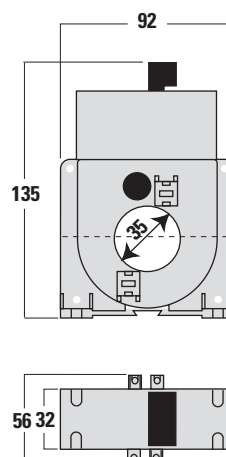


OVERALL DIMENSIONS

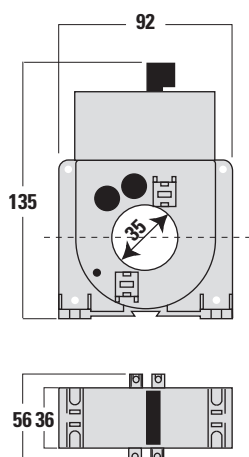
**TT35**



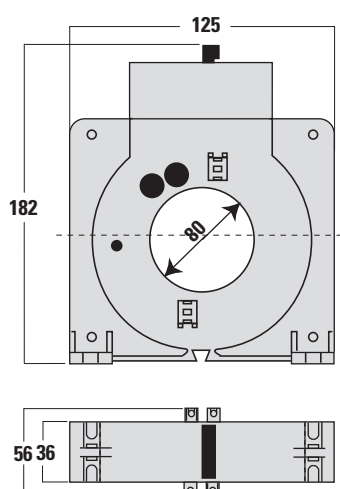
**TT35A**



**HT35A**



**HT80A**



IME S.p.A. reserves the right, to modify the technical characteristics without notice