



Iso D4

4 module housing for industrial use



Iso D4Z

4 module housing for hospital use



Iso QZ

120x81 mm flush mounting housing
for hospital use



Iso VT

insulation transformers for hospital use





Insulation relay for industrial use



Model	Iso D4			
Codes	RI2A...		RI2C...	
Ordering codes see page:	04		04	
Controlled quantity	insulation towards earth in IT distribution networks		insulation towards earth in d.c. networks	
Network voltage	24...400V 50 - 60Hz		20...60 - 100...160 - 210...230Vd.c.	
Alarm threshold adjusting range	20 - 40 - 70 - 100 - 150 - 200kΩ 5 - 10 - 20 - 50 - 100 - 200kΩ		20 - 40 - 70 - 100 - 150 - 200kΩ	
Intervention time	< 0,6s		< 0,6s	
Hysteresis	< 20%		< 20%	
Reset	automatic		automatic	
Test	manual		manual	
Relay output	1 SPDT contact		1 SPDT contact	
Relay status	field-selectable negative		field-selectable negative	
A.C. auxiliary supply	150Va.c.	230Va.c.	150Va.c.	230Va.c.
Dimensions	4 module DIN		4 module DIN	
Technical note	NT491		NT590	
Price				



Insulation relay for hospital use



Model	Iso D4Z		Iso D4Zs
Codes	RIH4001	RIH4002	RIH4003
Ordering codes see page:	04	04	04
Controlled quantity	continuous control insulation towards ground for circuit fed by VT with ground insulated secondary winding		
Measuring	selectable from resistance (R) or impedance (Z) towards ground		
Connection	insulation transformer according to EN61558-2-15		
Monitored line voltage	VT/230V	VT/230V	VT/24V
Voltage, frequency	•	•	•
External VT temperature	•	•	
Current, apparent power, average power	•	•	
Pre-alarm + programmable insulation alarm	50...500kΩ	50...500kΩ	5...50kΩ
Pre-alarm + programmable VT temperature alarm	0...250°C	0...250°C	
Pre-alarm + programmable average power alarm	0...9999VA	0...9999VA	
Average power delay time	15 - 30 - 60min	15 - 30 - 60min	
RS485 communication		•	
A.C. auxiliary supply	230Va.c.	230Va.c.	230Va.c.
"FAULT" insulation alarm relay output	1 SPST-NO contact	1 SPST-NO contact	1 SPST-NO contact
"OVERLOAD" average power or temperature alarm relay output	1 SPST-NO contact	1 SPST-NO contact	
Signaling and remote control	by external repeater panel Iso QZ	by external repeater panel Iso QZ	by external repeater panel Iso QZ
Dimensions	4 module DIN	4 module DIN	4 module DIN
Technical note	NT688	NT688	NT689
Price			



Model	Iso QZ
Codes	ARIH001
Ordering codes see page:	04
Function	remote repeater to suit Iso D4Z
Signaling	alarm intervention / LED indication + acoustic warning for CT overload
Auxiliary supply	fed via Iso D4Z
Dimensions	120x81x52mm
Technical note	NT690
Price	



Insulation VT for hospital use



Model	Iso VT					
Codes	TI024D100	TI230D150S	TI230D300S	TI230D500S	TI230D750S	TI230E100S
Ordering codes	see table			see table		
Ratio	230/24V			230/230V		
Burden	1kVA	1,5kVA	3kVA	5kVA	7,5kVA	10kVA
Technical note	NT700			NT699		
Price						

Iso D4 Insulation monitor for a.c. industrial use 4 module

Ordering code	Line	Threshold	Auxiliary supply	Stock	
R I 2 A 1 1 E	24...400Va.c.	20...200kΩ	150Va.c.		
R I 2 A 1 1 3	24...400Va.c.	20...200kΩ	230Va.c.	•	
R I 2 A 1 2 E	24...400Va.c.	5...200kΩ	150Va.c.		
R I 2 A 1 2 3	24...400Va.c.	5...200kΩ	230Va.c.		

Iso D4 Insulation monitor for d.c. industrial use 4 module

Ordering code	Line	Threshold	Auxiliary supply	Stock	
R I 2 C C 1 E	20...60Vd.c.	20...200kΩ	150Va.c.		
R I 2 C C 1 3	20...60Vd.c.	20...200kΩ	230Va.c.		
R I 2 C A 1 E	100...160Va.c.	20...200kΩ	150Va.c.		
R I 2 C A 1 3	100...160Va.c.	20...200kΩ	230Va.c.		
R I 2 C E 1 E	210...230Vd.c.	20...200kΩ	150Va.c.		
R I 2 C E 1 3	210...230Vd.c.	20...200kΩ	230Va.c.		

Iso D4Z Insulation monitor for hospital use 4 module

Ordering code	Line	Threshold	Auxiliary supply	Communication	Stock	
R I H 4 0 0 1	VT/230V	50...500kΩ	230Va.c.	-		
R I H 4 0 0 2	VT/230V	50...500kΩ	230Va.c.	RS485		

Iso D4Zs Insulation monitor for hospital use 4 module

Ordering code	Line	Threshold	Auxiliary supply	Communication	Stock	
R I H 4 0 0 3	VT/24V	50...500kΩ	230Va.c.	-		

Iso QZ Remote repeater to insulation monitor for hospital use

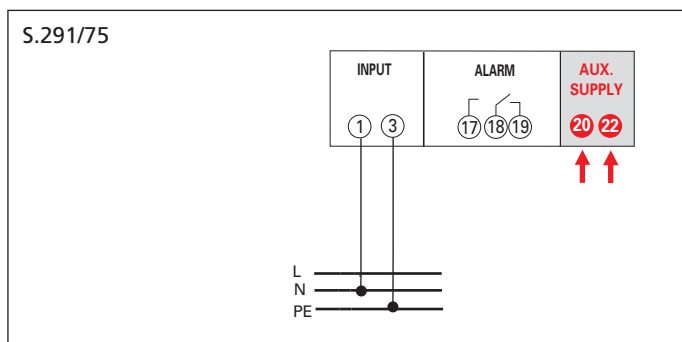
Ordering code	Description	Stock	
A R I H 0 0 1	REMOTE REPEATER FOR Iso D4Z		

Iso VT Insulation transformer for hospital use

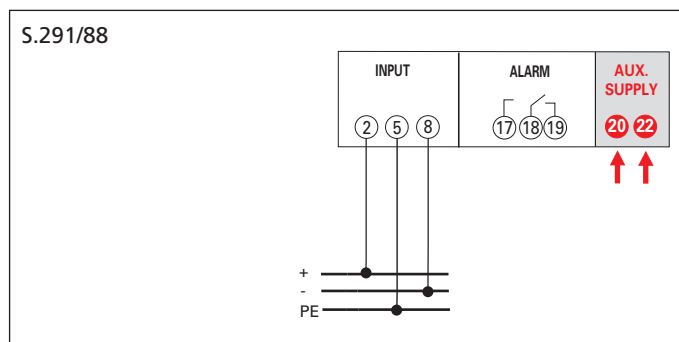
Ordering code	Ratio	Burden	Stock	
T I 0 2 4 D 1 0 0	230 / 24V	1kVA		
T I 2 3 0 D 1 5 0 S	230 / 230V	1,5kVA		
T I 2 3 0 D 3 0 0 S	230 / 230V	3kVA		
T I 2 3 0 D 5 0 0 S	230 / 230V	5kVA		
T I 2 3 0 D 7 5 0 S	230 / 230V	7,5kVA		
T I 2 3 0 E 1 0 0 S	230 / 230V	10kVA		

Iso D4

RI2A...

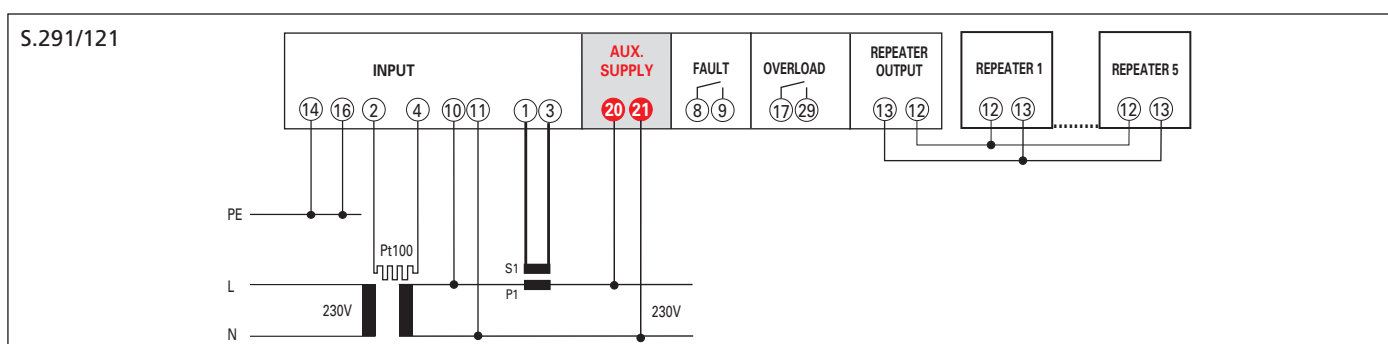


RI2C...

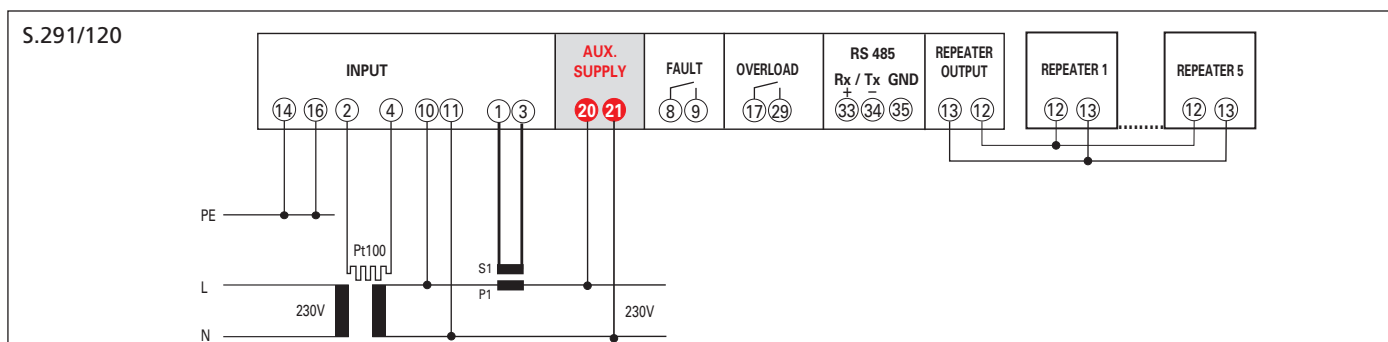


Iso D4Z

RIH4001

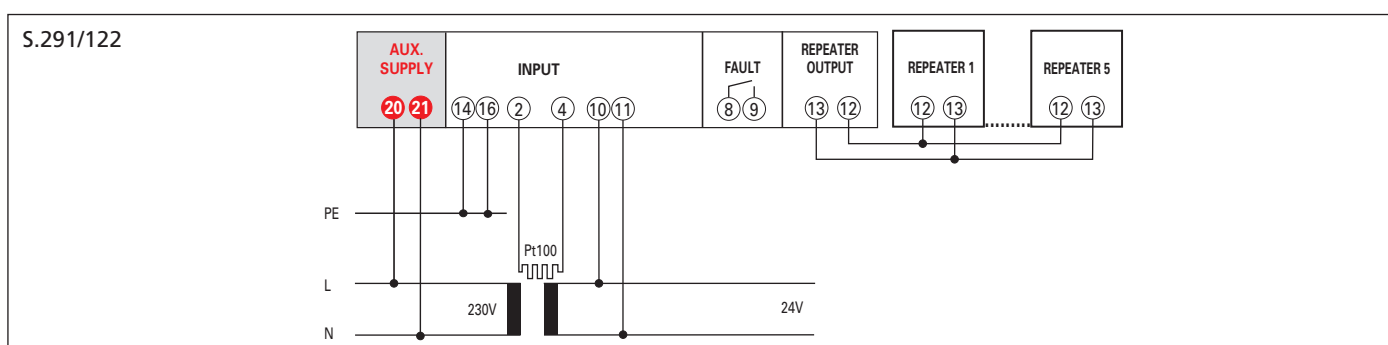


RIH4002

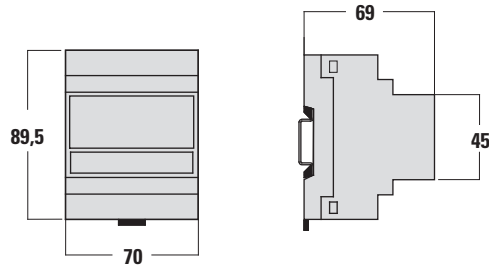


Iso D4Zs

RIH4003

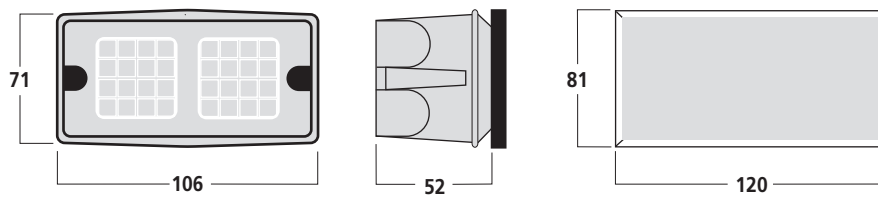


RI2A... / RI2C... / RIH4...



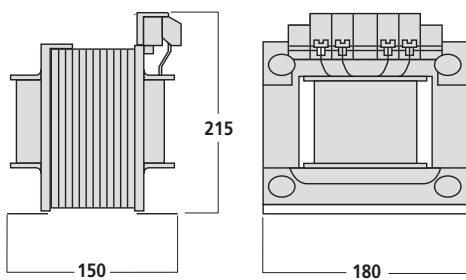
4 Module

ARIH001

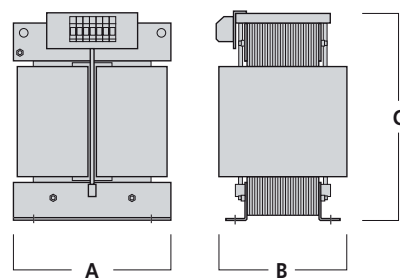


Flush mounting

TI024D100



TI230....



Model	A	B	C	Weight
TI230D150S	200	150	330	~15kg
TI230D300S	200	150	330	~19kg
TI230D500S	240	180	380	~34kg
TI230D750S	240	190	380	~50kg
TI230E100S	280	220	420	~78kg

IME S.p.A. reserves the right, to modify the technical characteristics without notice